

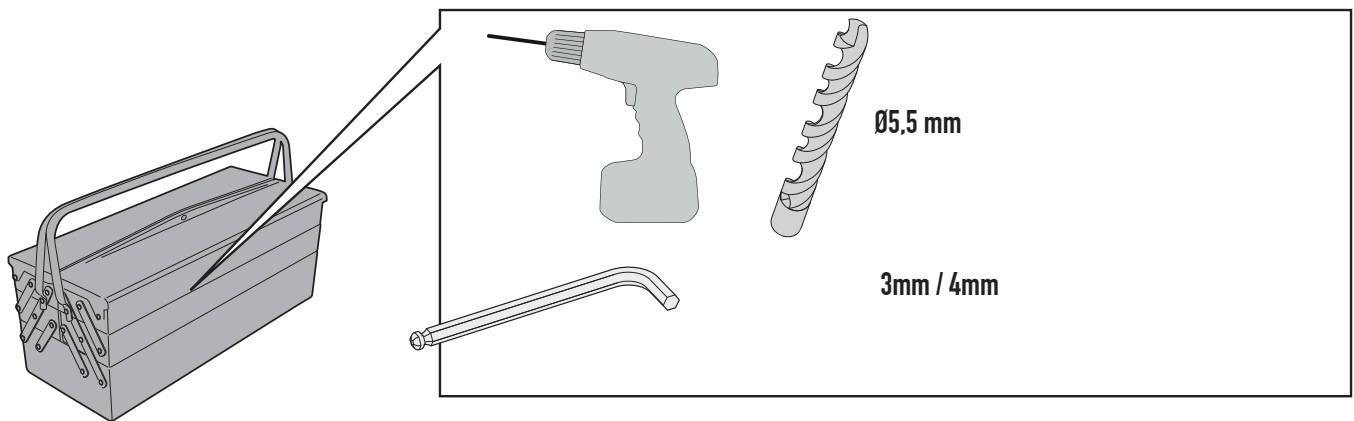
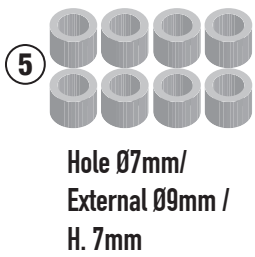
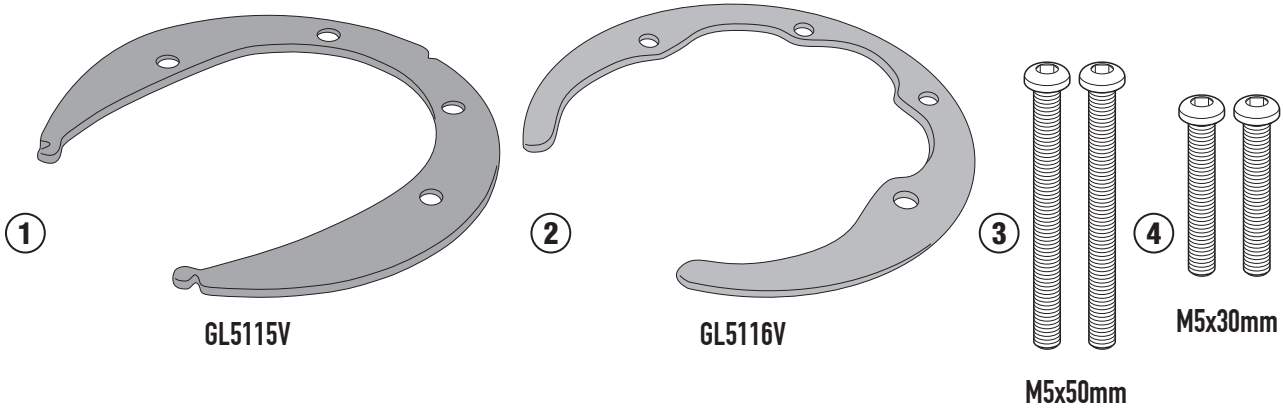
BF70 – BF70K

Flangia Specifica per borse Tanklock – Specific Carrier for Tanklock bags
Brides spécifiques pour Tanklock bagagerie souple – Tankringen für tanklock Weichtaschen
Aro específico para bolsa Tanklock – Anel específico para bolsa Tanklock

N°	Descrizione-Description	Caratteristiche-Features	Codice-Code	Quantità-Quantity
1	Flangia Superiore – Upper Support Bride Supérieure – Oberer Tankringen Aro Superior – Anel Superior	-	GL5115V	1
2	Flangia Inferiore – Lower Support Bride Inférieure – Unterer Tankringen Aro Inferior – Anel Inferior	-	GL5116V	1
3	Vite – Screw Vis – Schraube Tornillo – Parafuso	TBEI M5x50	550TBEI	2
4	Vite – Screw Vis – Schraube Tornillo – Parafuso	TBEI M5x30	530TBEI	2
5	Distanziale – Spacer Entretoise – Distanzstueck Distanciador – Espaçado	Ø9x7 Foro 6mm	C9L7F6T	8
6	Componenti Originali – Original Parts Parties Originales – Original Bauteile Componentes Originales – Componentes Originais	-	-	-
7	Particolari inclusi nella borsa tanklock Components included in the tanklock bag Pièces incluses dans la tanklock bag Teile inkludiert in der tanklock tasche Componente incluido na bolsa tanklock Despieces Incluidos bolsa tanklock	-	-	-

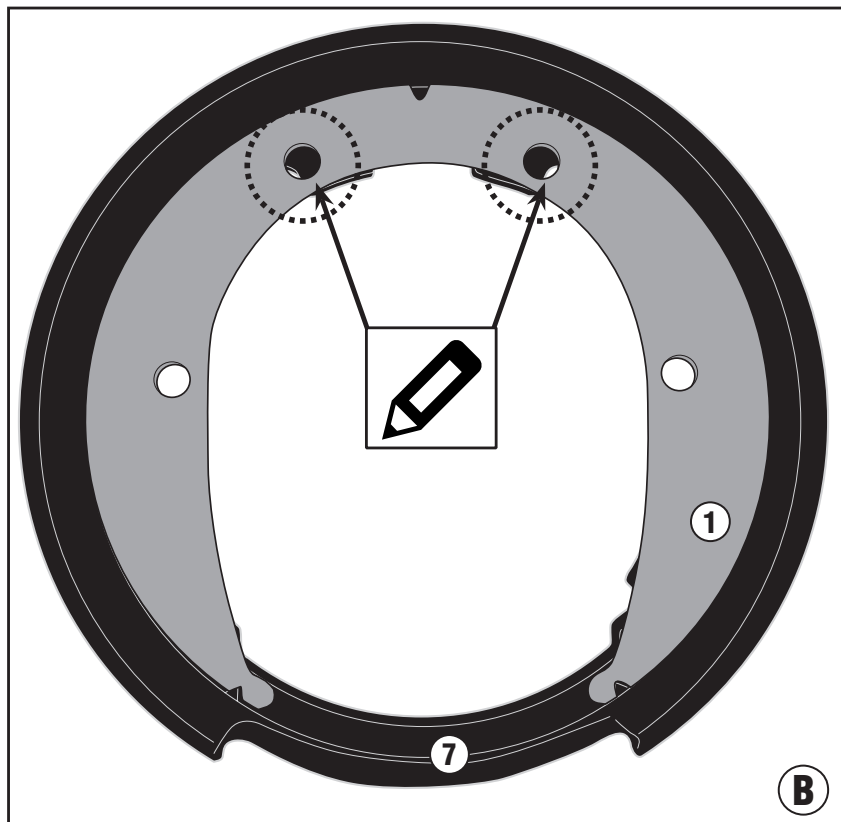
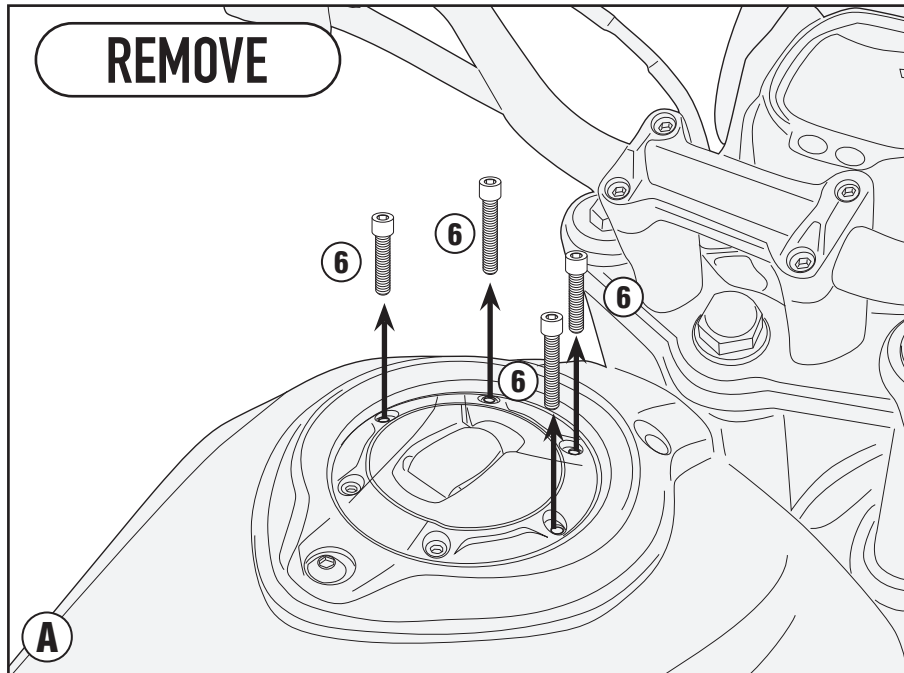
BF70 - BF70K

Flangia Specifica per borse Tanklock - Specific Carrier for Tanklock bags
Brides spécifiques pour Tanklock bagagerie souple - Tankringen für tanklock Weichtaschen
Aro específico para bolsa Tanklock - Anel específico para bolsa Tanklock



BF70 - BF70K

Flangia Specifica per borse Tanklock - Specific Carrier for Tanklock bags
Brides spécifiques pour Tanklock bagagerie souple - Tankringen für tanklock Weichtaschen
Aro específico para bolsa Tanklock - Anel específico para bolsa Tanklock



BF70 - BF70K

Flangia Specifica per borse Tanklock - Specific Carrier for Tanklock bags
Brides spécifiques pour Tanklock bagagerie souple - Tankringen für tanklock Weichtaschen
Aro específico para bolsa Tanklock - Anel específico para bolsa Tanklock

