

# RP3118 – RP3118K

PARACOPPA – OIL CARTER PROTECTOR – SABOT MOTEUR – SPEZIFISCHER MOTORSCHUTZ – CUBRE CARTER – COBRE CARTER

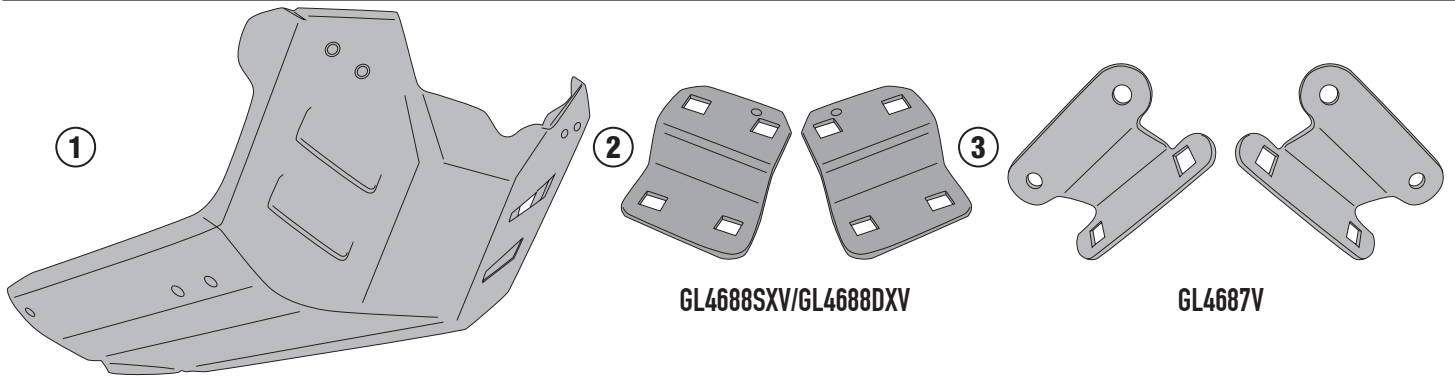
## SUZUKI V-STROM 1050 XT (2020)

N°	Descrizione/Description	Caratteristiche/Features	Codice/Code	Quantità/Quantity
1	Paracoppa - Oil Carter Protector Sabot Moteur - Spezifischer Motorschutz Cubre Carter - Cobre Carter	-	RP3118A	1
2	Supporto anteriore - Front support - Support avant Vordere Unterstützung - Soporte frontal - Suporte frontal	-	GL4688DXV GL4688SXV	2(Right; Left)
3	Supporto inferiore - Lower support - Support inférieur Soporte inferior - Untere Halterung - Suporte inferior	-	GL4687V	2
4	Supporto posteriore - Rear support - Hintere Unterstützung Support arrière - Soporte trasero - Suporte traseiro	LEFT SIDE	GL4690V	1
5	Supporto posteriore - Rear support - Hintere Unterstützung Support arrière - Soporte trasero - Suporte traseiro	RIGHT SIDE	GL4689V	1
6	Piastrina di supporto - Support plate Plaque de support - Trägerplatte Pletina de soporte - Placa de apoio	-	GL4691V	2
7	Vite - Screw Vis - Schraube Tornillo - Parafuso	TECF M6x50	650TECF	4
8	Vite - Screw Vis - Schraube Tornillo - Parafuso	TSPX M6x16	616TSPX	10
9	Rondella - Washer Rondelle - Scheibe Arandela - Arruela	Foro Ø6mm	6RON	4
10	Dado a gabbia - Cage nut Écrou cage - Tuerca jaula Halterung für Mutter - Porca especial	M6	6DADIGB	14
11	Cavallotto - Retaining clamp - Patte de fixation Abrazadera - Halteklammern - Abraçadeira de fixação	-	Z1893	4
12	Protezione - Protection Protection - Schutz Protección - Proteção	120X58mm	Z2086	2
13	Componenti Originali - Original Parts Parties Originales - Original Bauteile Componentes Originales - Componentes Originais	-	-	-

# RP3118 - RP3118K

PARACOPPA - OIL CARTER PROTECTOR - SABOT MOTEUR - SPEZIFISCHER MOTORSCHUTZ - CUBRE CARTER - COBRE CARTER

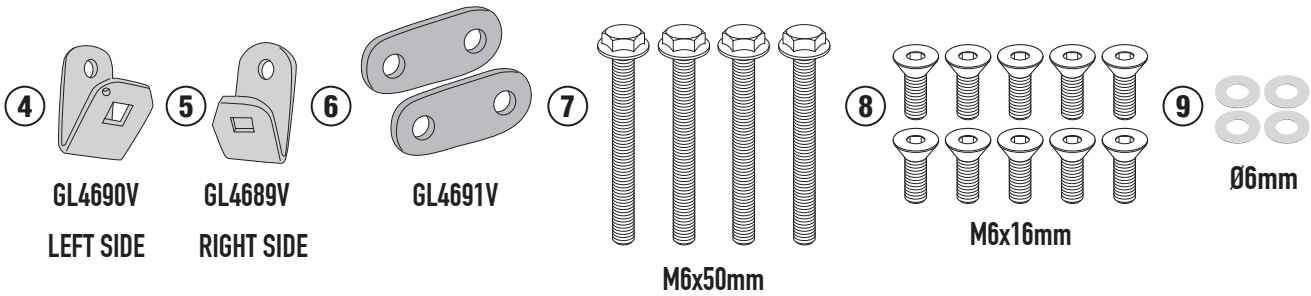
## SUZUKI V-STROM 1050 XT (2020)



RP3118A

GL4688SXV/GL4688DXV

GL4687V



GL4690V

GL4689V

GL4691V

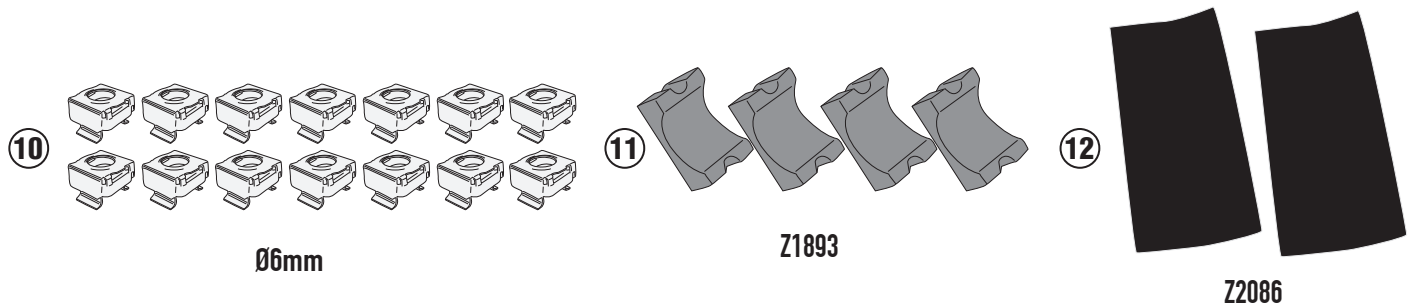
LEFT SIDE

RIGHT SIDE

M6x50mm

M6x16mm

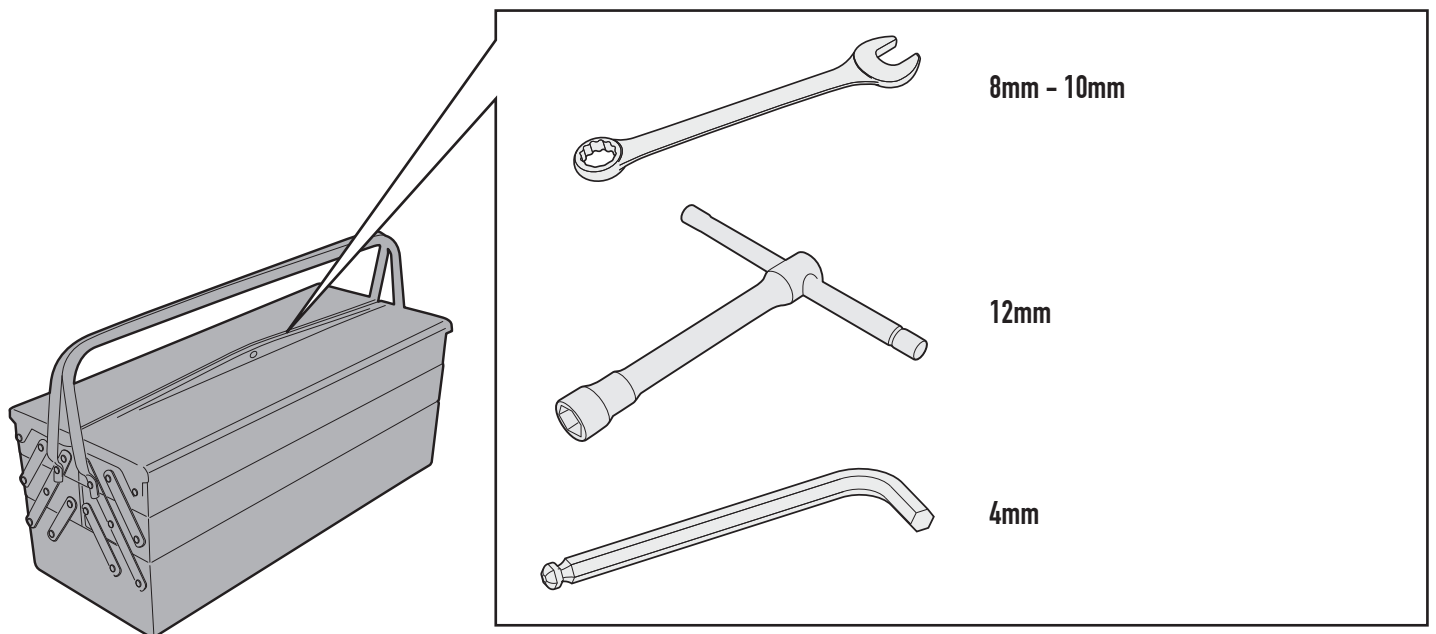
Ø6mm



Ø6mm

Z1893

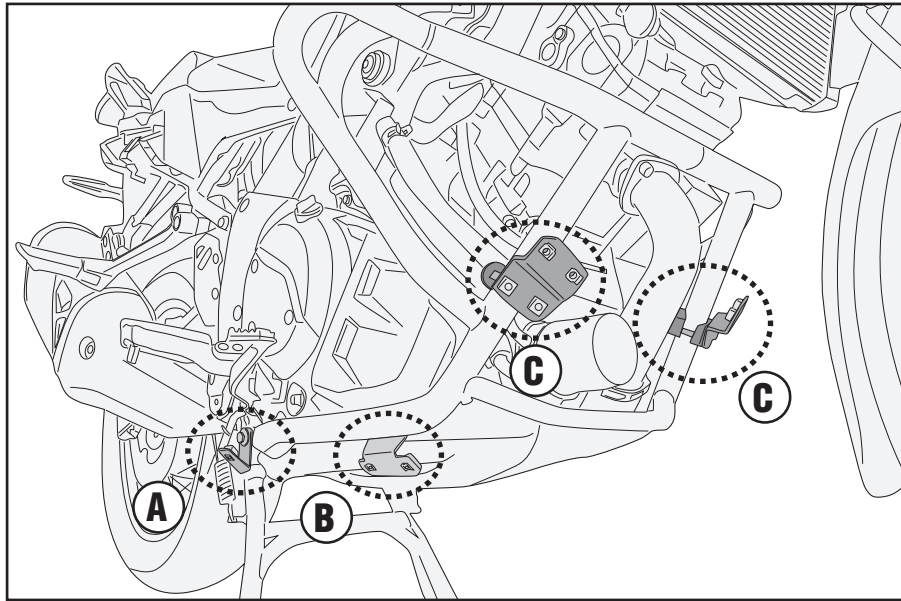
Z2086



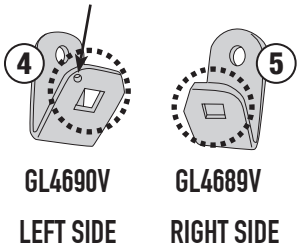
# RP3118 - RP3118K

PARACOPPA - OIL CARTER PROTECTOR - SABOT MOTEUR - SPEZIFISCHER MOTORSCHUTZ - CUBRE CARTER - COBRE CARTER

## SUZUKI V-STROM 1050 XT (2020)

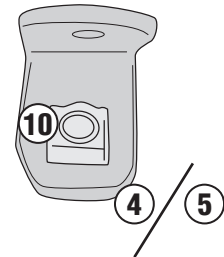
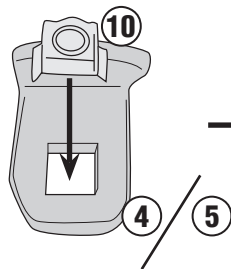


### LEFT SIDE / RIGHT SIDE



GL4690V  
LEFT SIDE

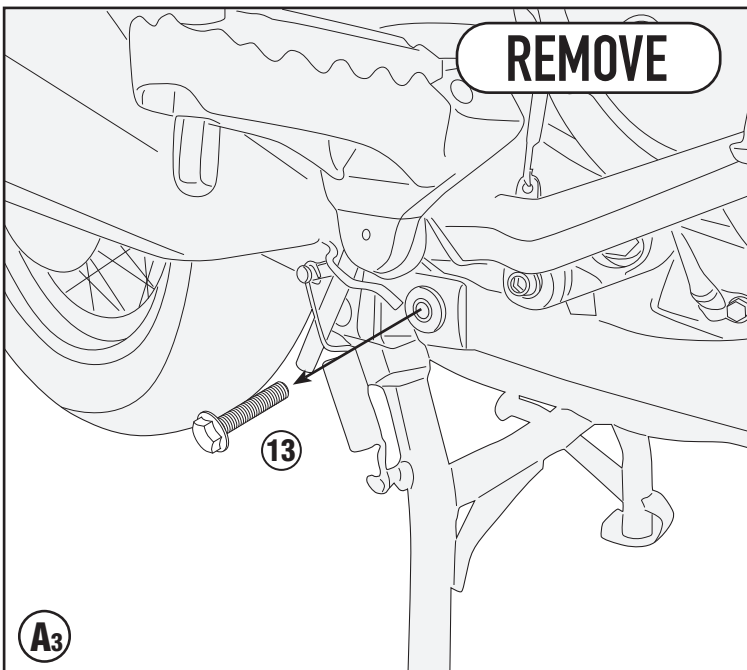
GL4689V  
RIGHT SIDE



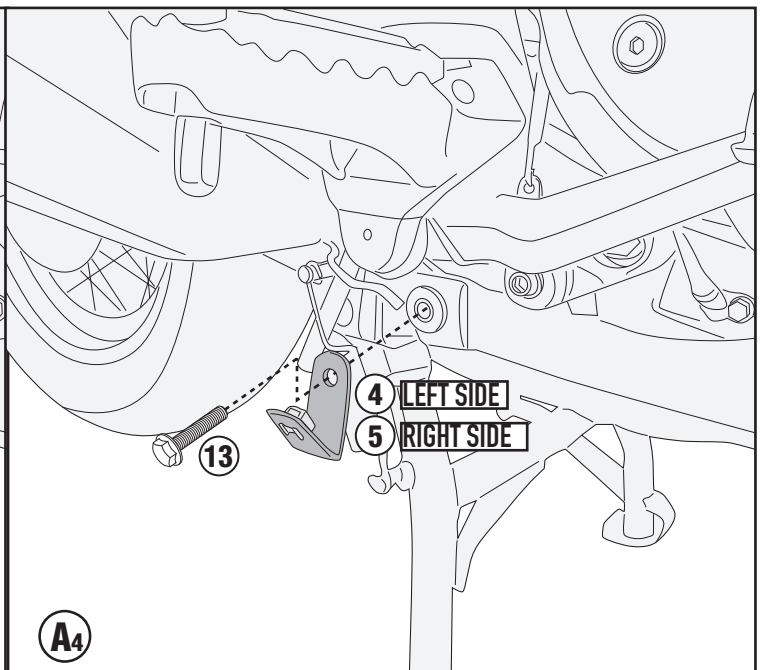
A1

A2

### REMOVE



A3



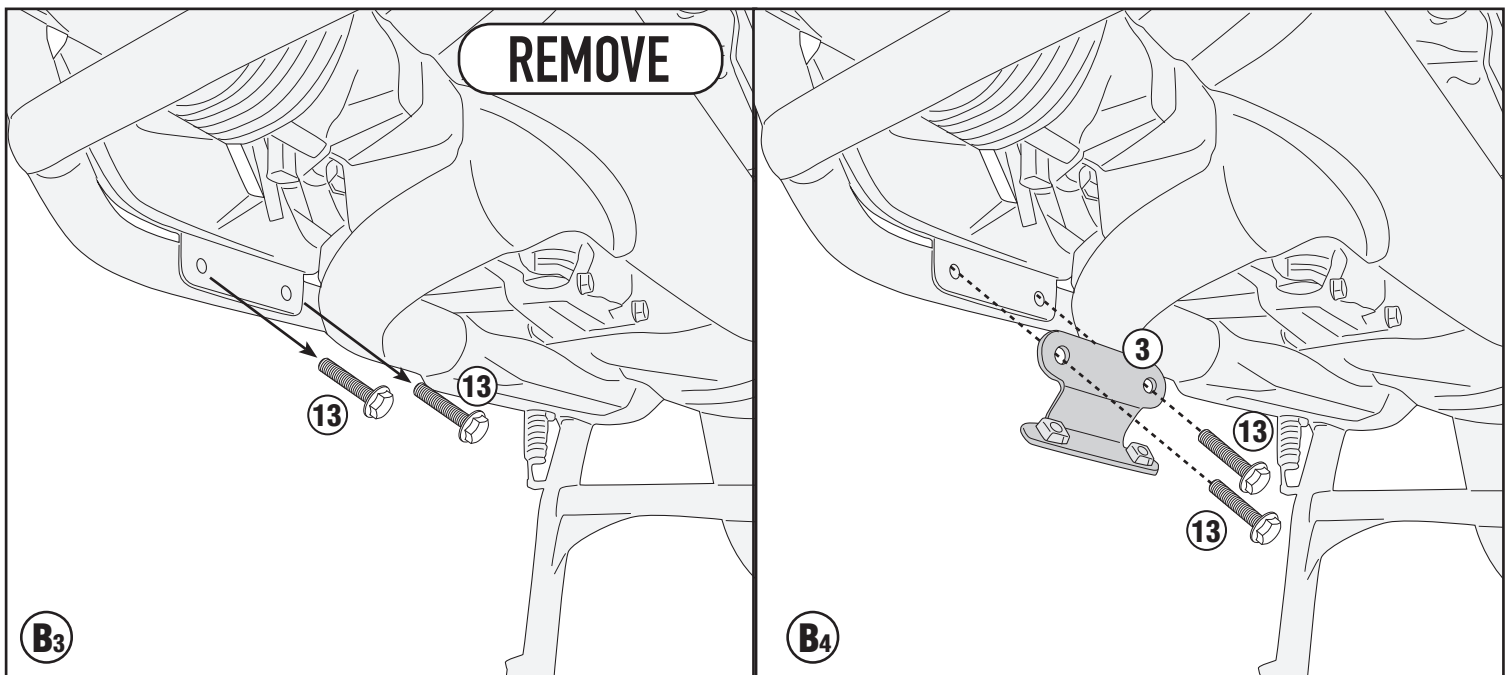
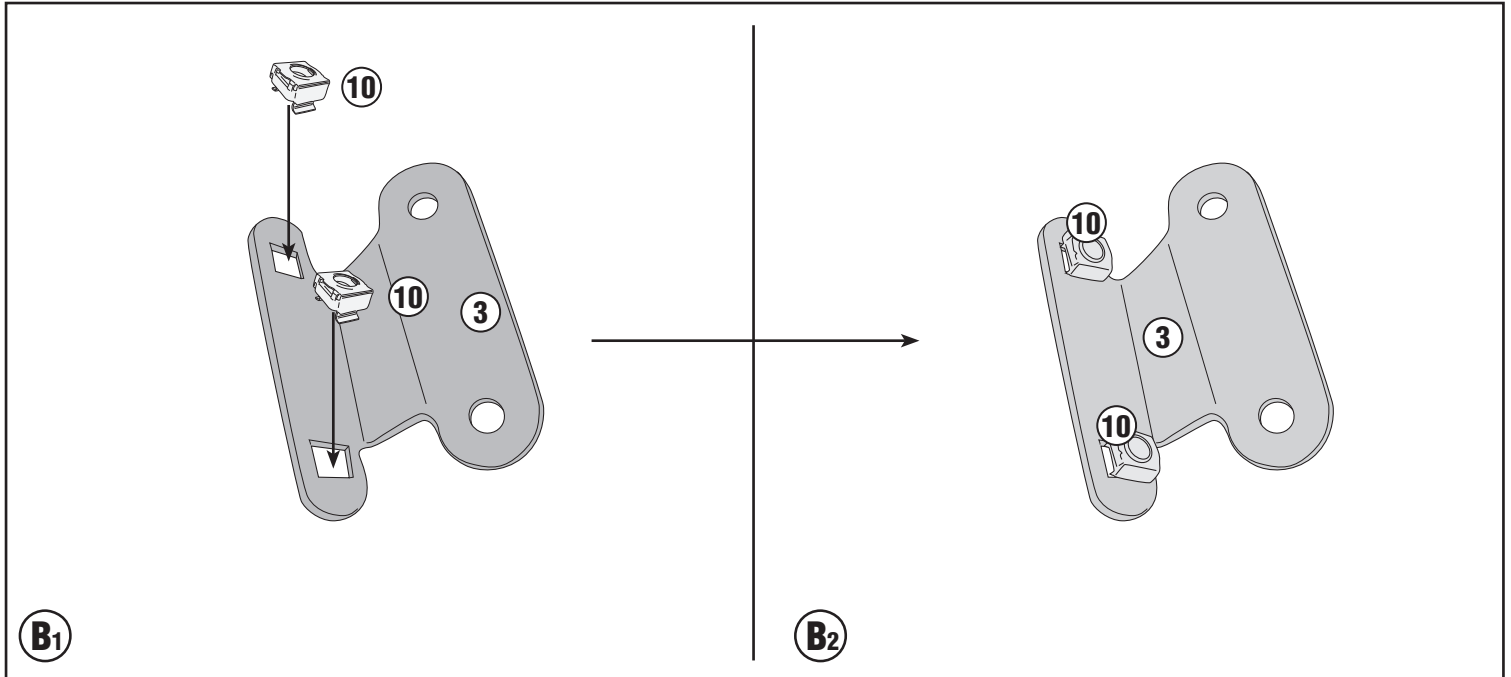
A4

# RP3118 - RP3118K

PARACOPPA - OIL CARTER PROTECTOR - SABOT MOTEUR - SPEZIFISCHER MOTORSCHUTZ - CUBRE CARTER - COBRE CARTER

## SUZUKI V-STROM 1050 XT (2020)

LEFT SIDE / RIGHT SIDE

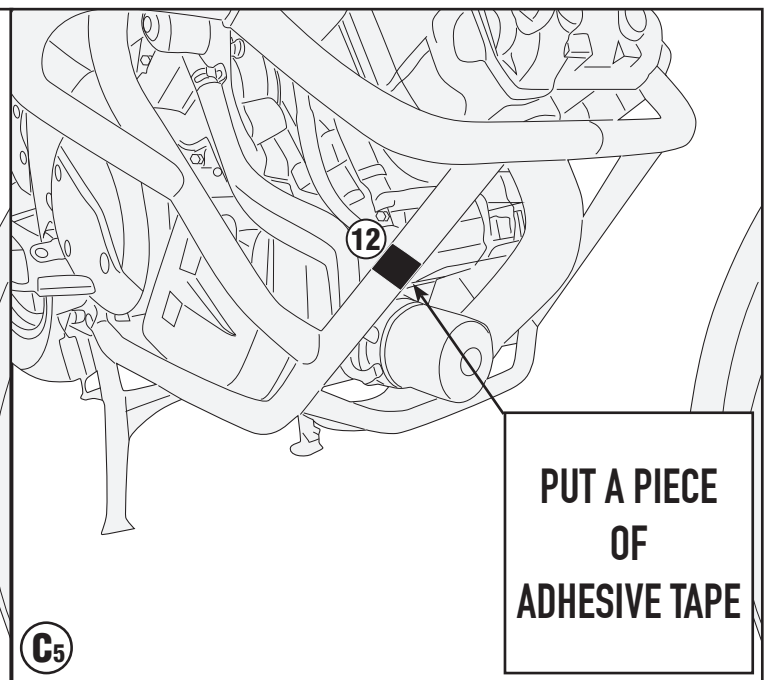
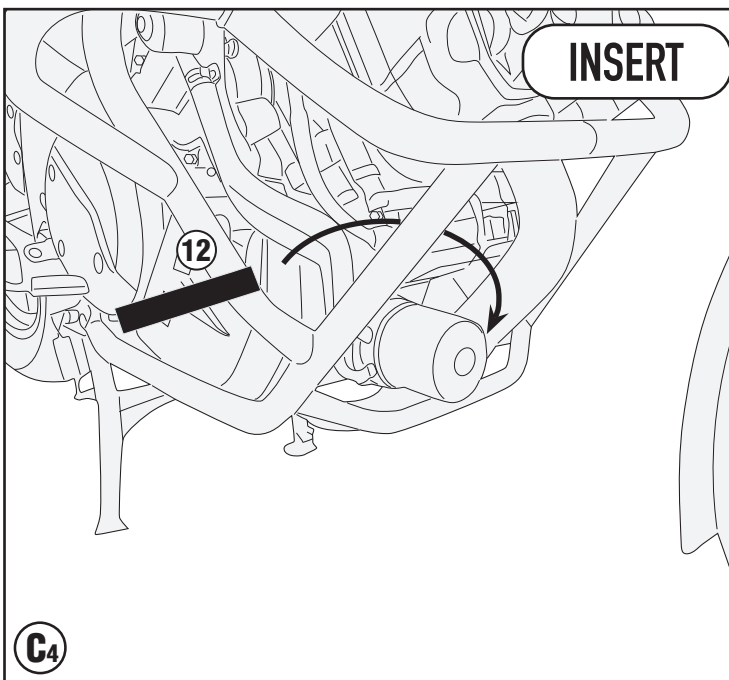
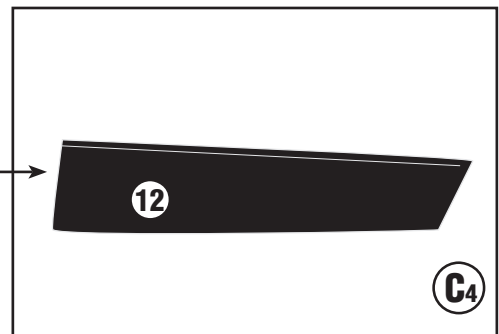
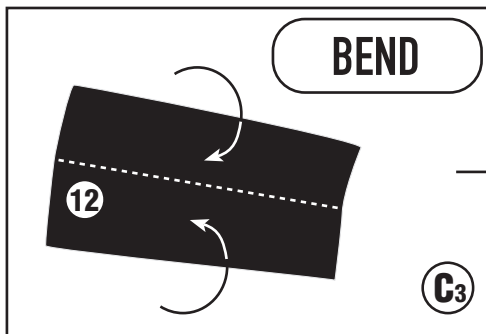
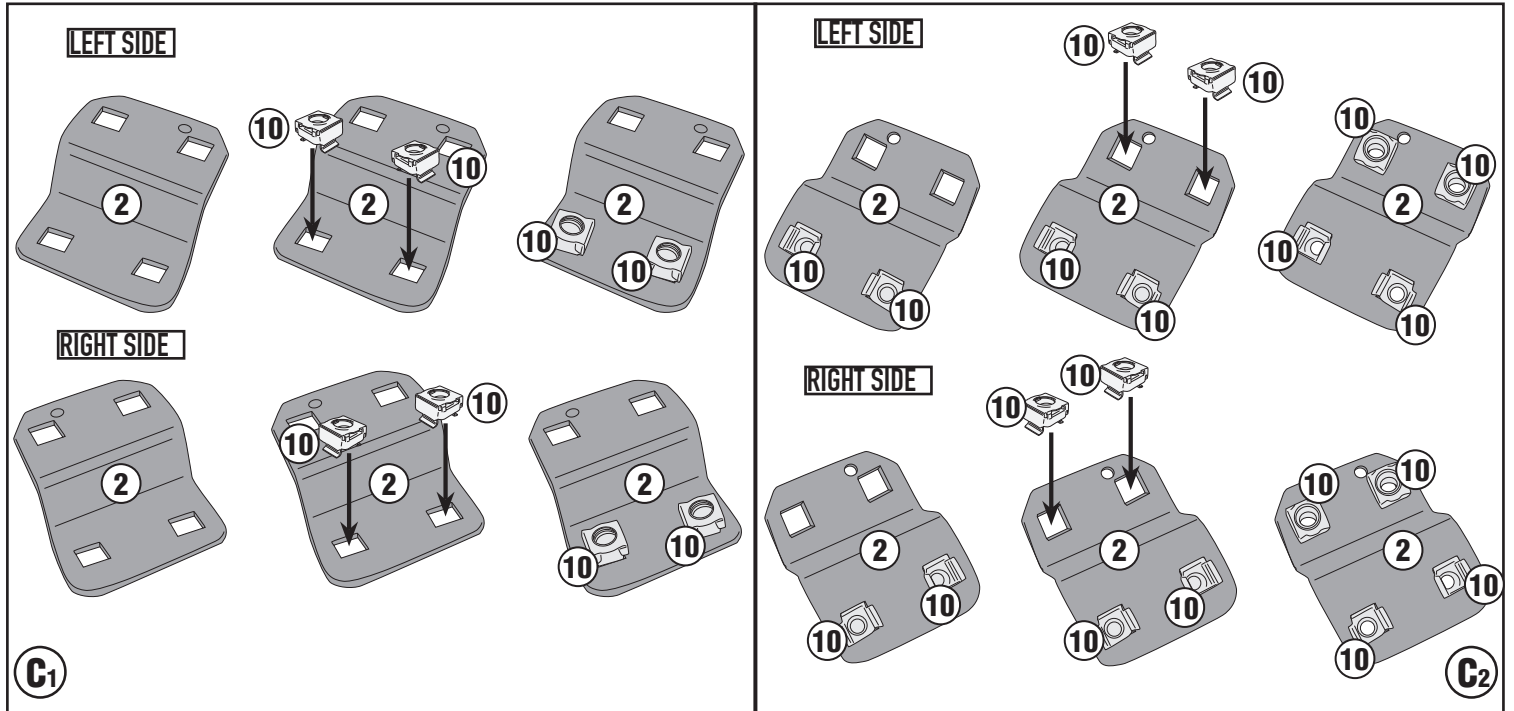


# RP3118 - RP3118K

PARACOPPA - OIL CARTER PROTECTOR - SABOT MOTEUR - SPEZIFISCHER MOTORSCHUTZ - CUBRE CARTER - COBRE CARTER

## SUZUKI V-STROM 1050 XT (2020)

### LEFT SIDE / RIGHT SIDE



# RP3118 - RP3118K

PARACOPPA - OIL CARTER PROTECTOR - SABOT MOTEUR - SPEZIFISCHER MOTORSCHUTZ - CUBRE CARTER - COBRE CARTER

## SUZUKI V-STROM 1050 XT (2020)

