

RP1144

PARACOPPA - OIL CARTER PROTECTOR - SABOT MOTEUR - SPEZIFISCHER MOTORSCHUTZ - CUBRE CARTER

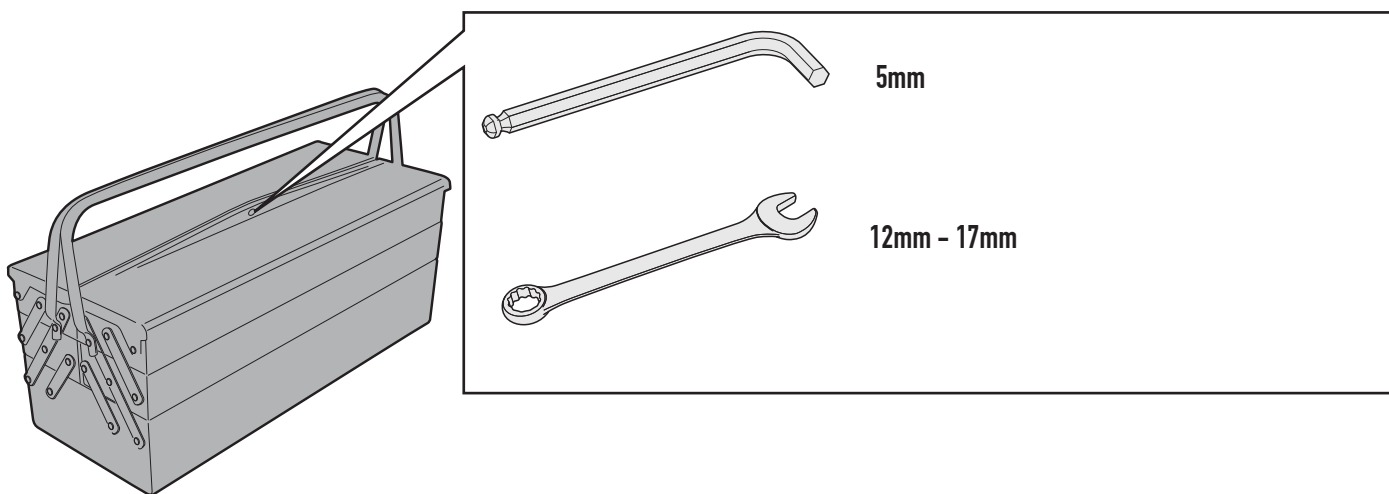
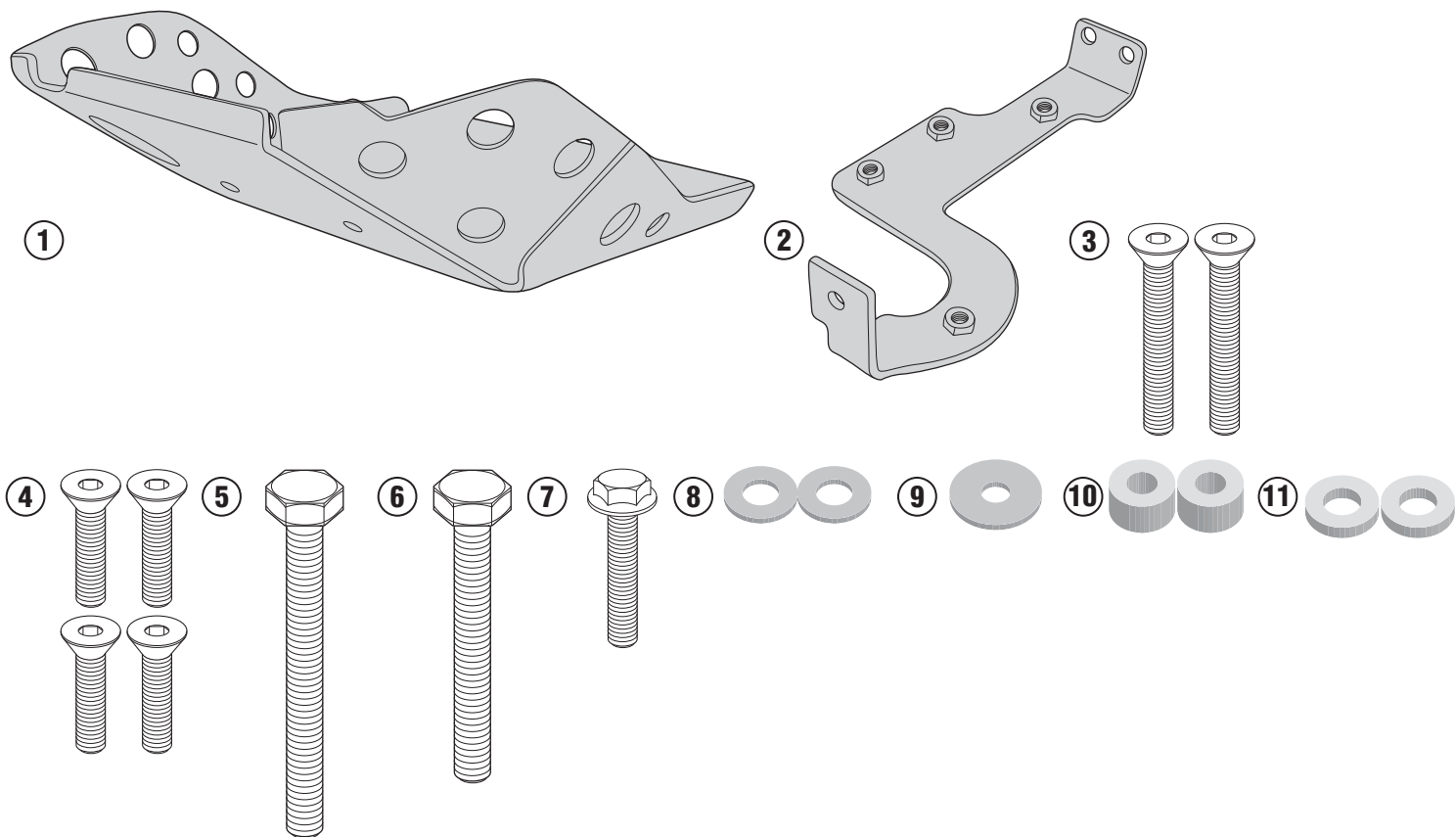
HONDA CRF1000L AFRICA TWIN (2016)

N°	Descrizione	Caratteristiche	Codice	Quantità
1	Paracoppa - Oil Carter Protector Sabot Moteur - Spezifischer Motorschutz Cubre Carter - Cobre Carter	-	RP1144	1
2	Supporto inferiore - Lower support - Support inférieur - Soporte inferior - Untere Halterung - Suporte inferior	-	GL3172	1
3	Vite - Screw Vis - Schraube Tornillo - Parafuso	TSP M8x40	840TSP	2
4	Vite - Screw Vis - Schraube Tornillo - Parafuso	TSP M8x20	820TSP	4
5	Vite - Screw Vis - Schraube Tornillo - Parafuso	TES M10X85	1085TES	1
6	Vite - Screw Vis - Schraube Tornillo - Parafuso	TES M10X70	1070TES	1
7	Vite - Screw Vis - Schraube Tornillo - Parafuso	TECF M8X20	820TECF	1
8	Rondella - Washer Rondelle - Scheibe Arandela - Arruela	-	10RON	2
9	Rondella - Washer Rondelle - Scheibe Arandela - Arruela	-	258RON	1
10	Distanziale - Spacer Entretoise - Distanzstueck Distanciador - Espaçador	Ø18x10 Foro 8,5	C18L10F8,5T	2
11	Distanziale - Spacer Entretoise - Distanzstueck Distanciador - Espaçador	Ø20x4 Foro 10,5	C20L4F10,5T	2
12	Particolari Inclusi Nell'TN1144 Components Included In The TN114 Pièces Incluses Dans El TN1144 Bestandteile im TN1144 enthalten Despieces Incluidos En El TN1144 Explodiu incluido da TN1144	-	-	-
13	Componenti Originali - Original Parts Parties Originales - Original Bauteile Componentes Originales - Componentes Originais	-	-	-
14	Supporto - Support - Support Halterung - Soporte - Apoio	-	Z2407	1
15	Supporto - Support - Support Halterung - Soporte - Apoio	-	Z2408	1
16	Supporto - Support - Support Halterung - Soporte - Apoio	-	Z2409	2
17	Supporto - Support - Support Halterung - Soporte - Apoio	-	Z2410	1

RP1144

PARACOPPA - OIL CARTER PROTECTOR - SABOT MOTEUR - SPEZIFISCHER MOTORSCHUTZ - CUBRE CARTER

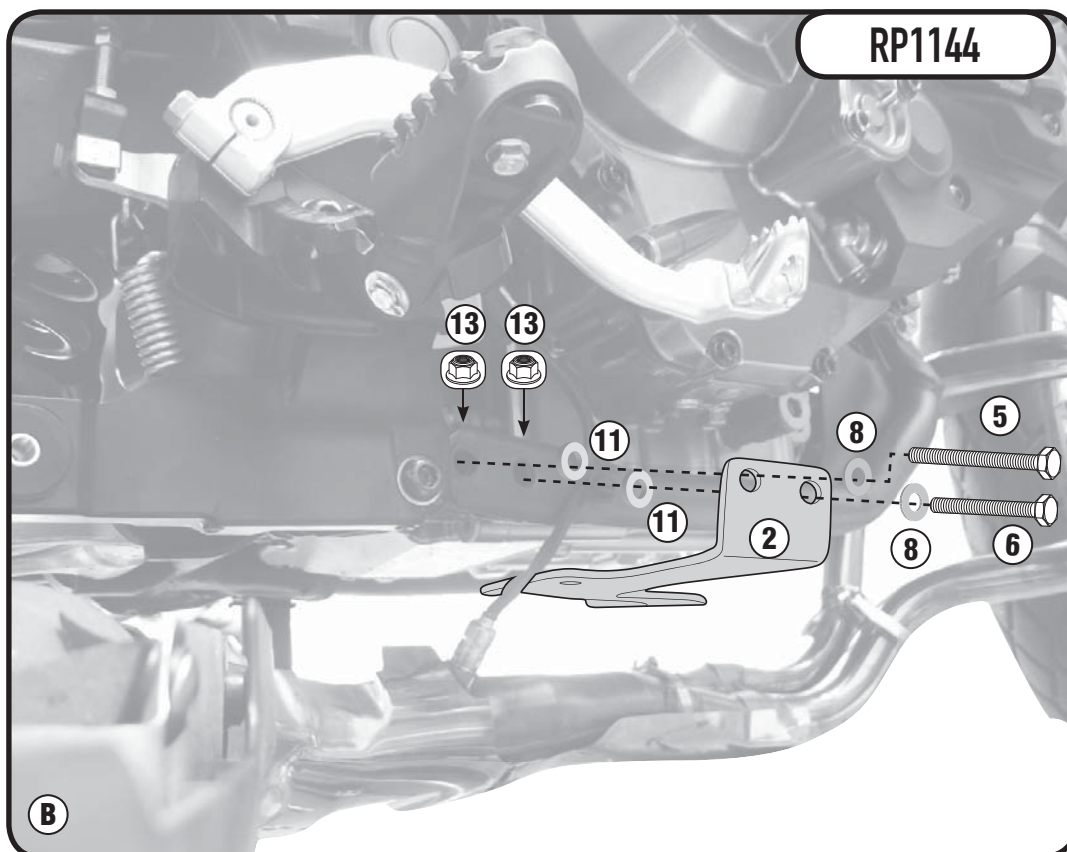
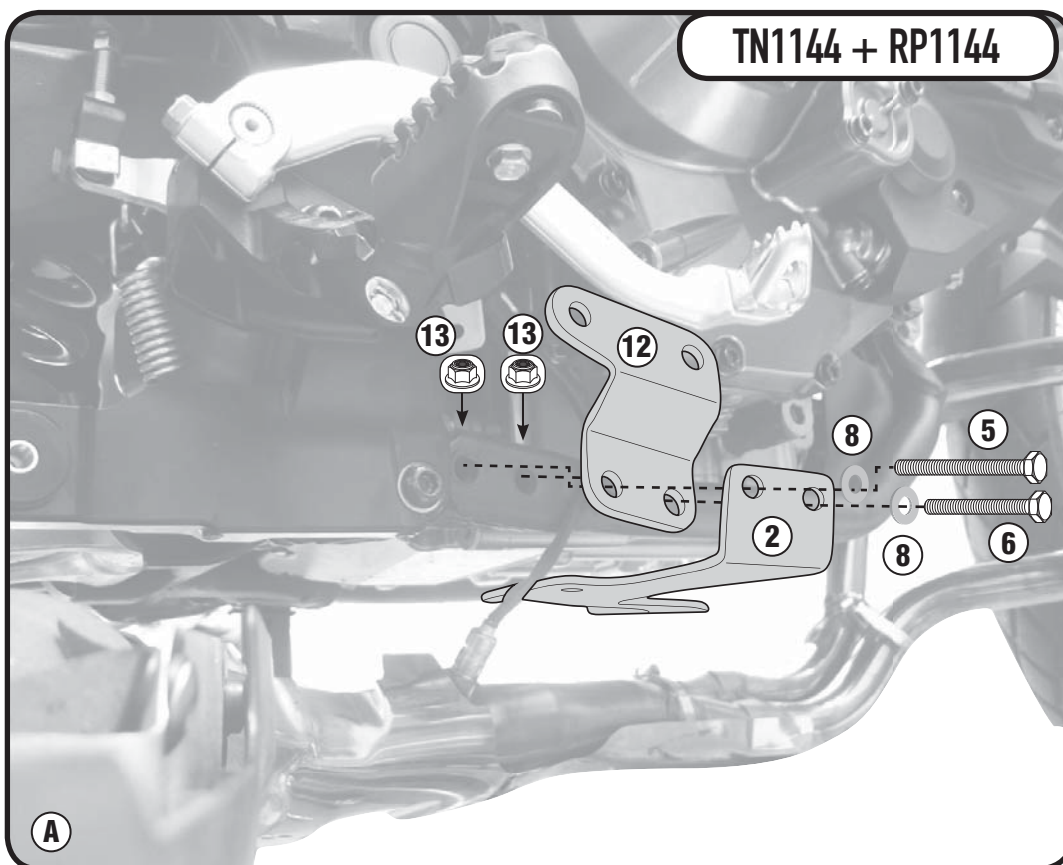
HONDA CRF1000L AFRICA TWIN (2016)



RP1144

PARACOPPA - OIL CARTER PROTECTOR - SABOT MOTEUR - SPEZIFISCHER MOTORSCHUTZ - CUBRE CARTER

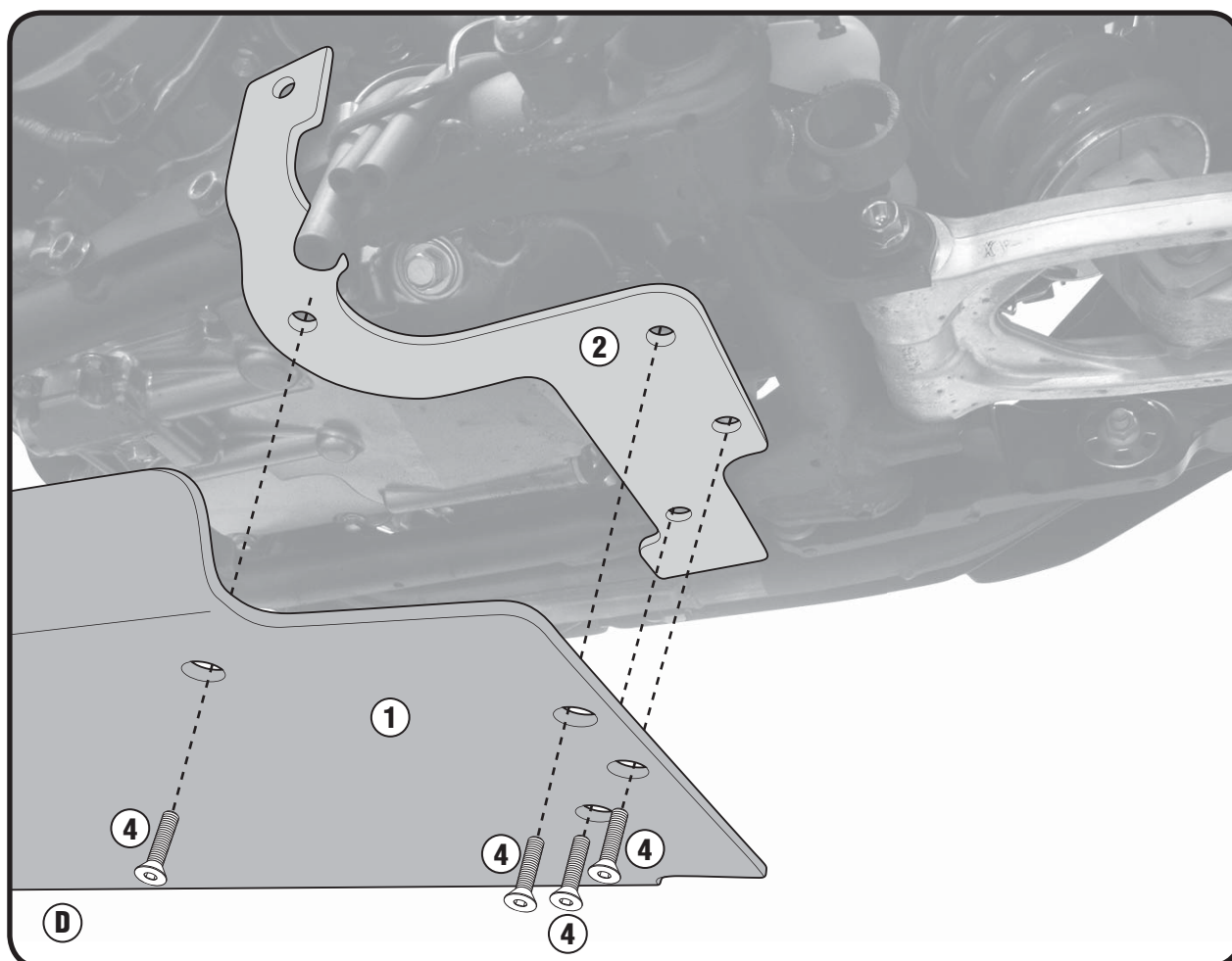
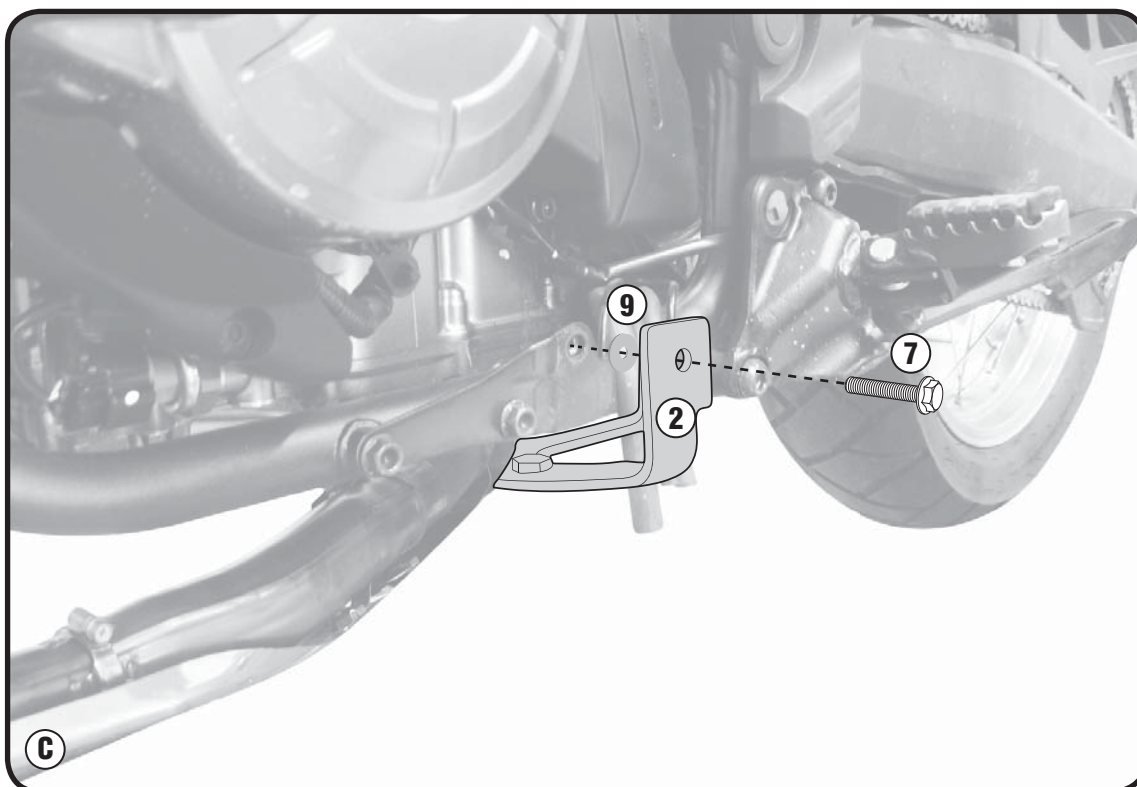
HONDA CRF1000L AFRICA TWIN (2016)



RP1144

PARACOPPA - OIL CARTER PROTECTOR - SABOT MOTEUR - SPEZIFISCHER MOTORSCHUTZ - CUBRE CARTER

HONDA CRF1000L AFRICA TWIN (2016)



RP1144

PARACOPPA - OIL CARTER PROTECTOR - SABOT MOTEUR - SPEZIFISCHER MOTORSCHUTZ - CUBRE CARTER

HONDA CRF1000L AFRICA TWIN (2016)

