

RP3105 - RP3105

PARACOPPA - OIL CARTER PROTECTOR - SABOT MOTEUR - SPEZIFISCHER MOTORSCHUTZ - CUBRE CARTER

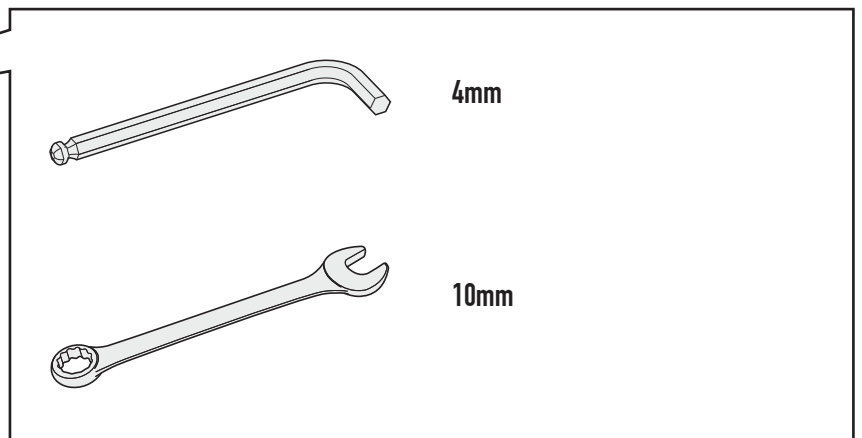
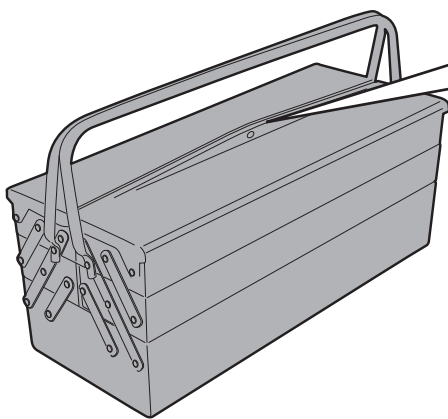
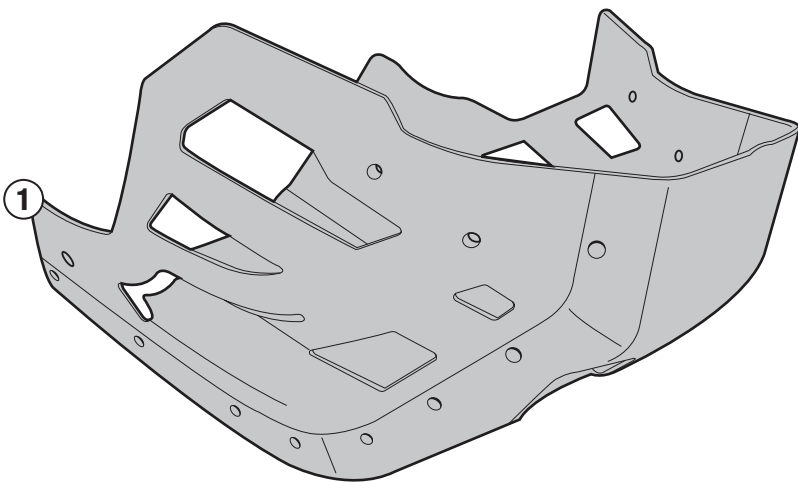
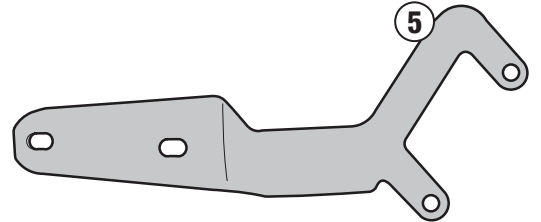
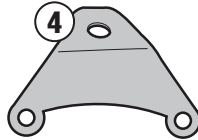
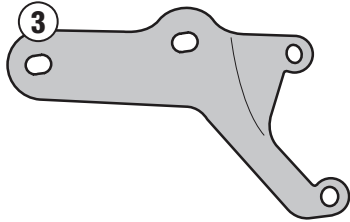
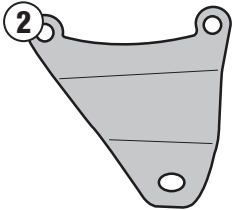
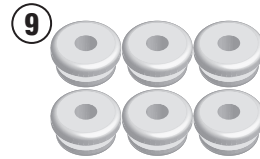
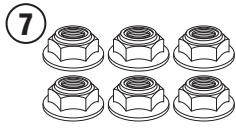
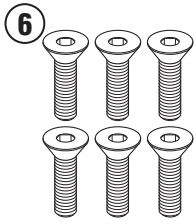
SUZUKI DL 1000 V-Strom (2014)

N°	Descrizione	Caratteristiche	Codice	Quantità
1	Paracoppa - Oil Carter Protector Sabot Moteur - Spezifischer Motorschutz Cubre Carter	-	-	1
2	Supporto - Support Support - Halterung Soporte - Apoio	Fe360 Sp. 1,5mm	GL2715	1
3	Supporto - Support Support - Halterung Soporte - Apoio	Fe360 Sp. 1,5mm	GL2716	1
4	Supporto - Support Support - Halterung Soporte - Apoio	Fe360 Sp. 1,5mm	GL2717	1
5	Supporto - Support Support - Halterung Soporte - Apoio	Fe360 Sp. 1,5mm	GL2718	1
6	Vite - Screw Vis - Schraube Tornillo - Parafuso	TSCEI M6x20 INOX	620TSPX	6
7	Dado - Bolt - Ecrou Mutter - Tuerca - Porca	Dado Auto Bloccante Flangiato Ribassato M6	6DADIABFL	6
8	Rondella - Washer Rondelle - Scheibe Arandela - Arruela	INOX	200RON	6
9	Gommino - Fairleader Chaumard - Gummi Goma - Borracha	-	Z269	6
10	Componenti Originali - Original Parts Parties Originales - Original Bauteile Componentes Originales - Componentes Originais	-	-	-

RP3105 - RP3105

PARACOPPA - OIL CARTER PROTECTOR - SABOT MOTEUR - SPEZIFISCHER MOTORSCHUTZ - CUBRE CARTER

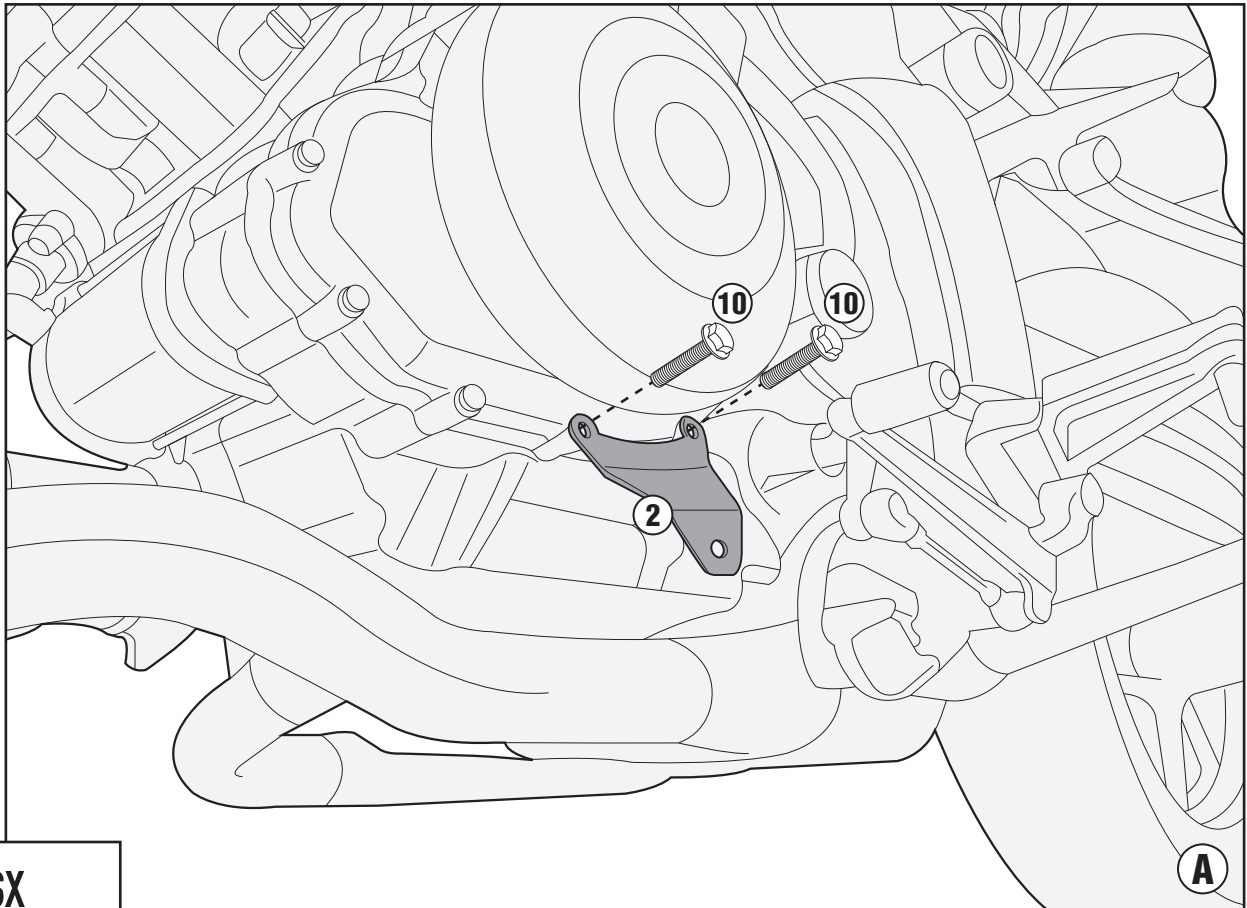
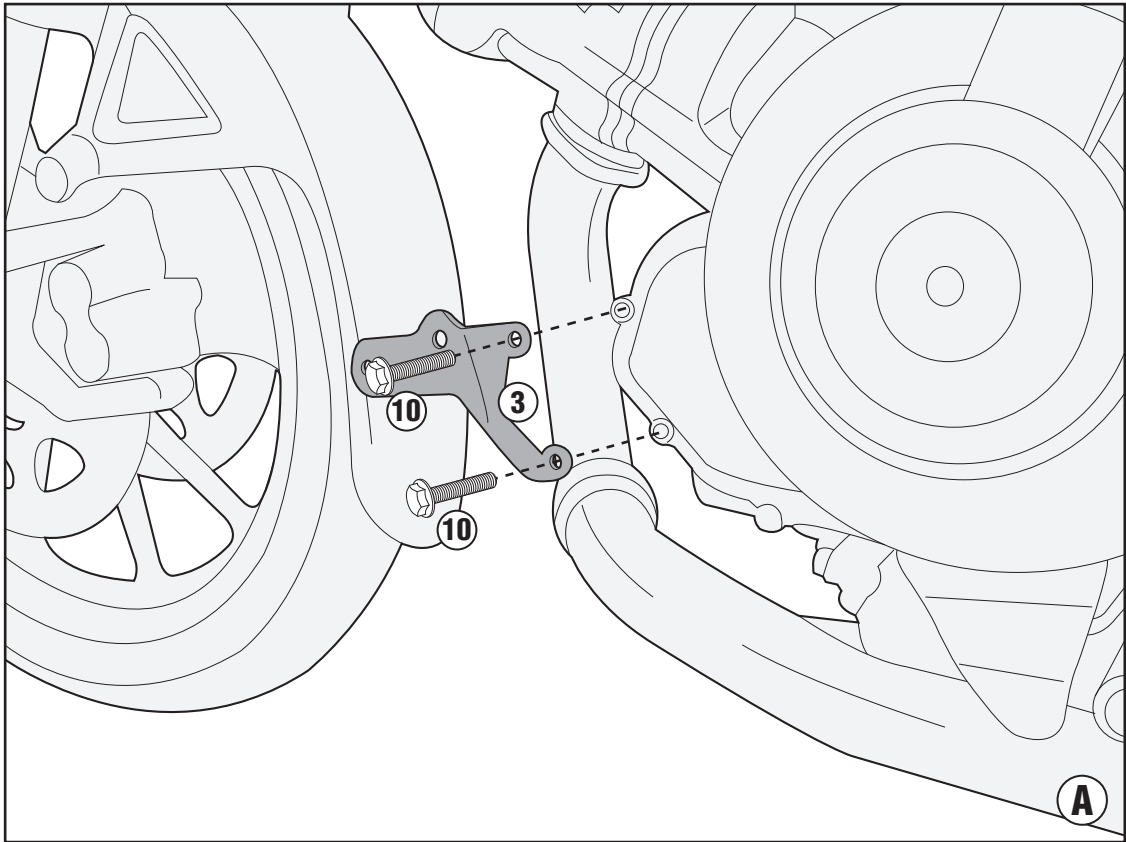
SUZUKI DL 1000 V-Strom (2014)



RP3105 - RP3105

PARACOPPA - OIL CARTER PROTECTOR - SABOT MOTEUR - SPEZIFISCHER MOTORSCHUTZ - CUBRE CARTER

SUZUKI DL 1000 V-Strom (2014)

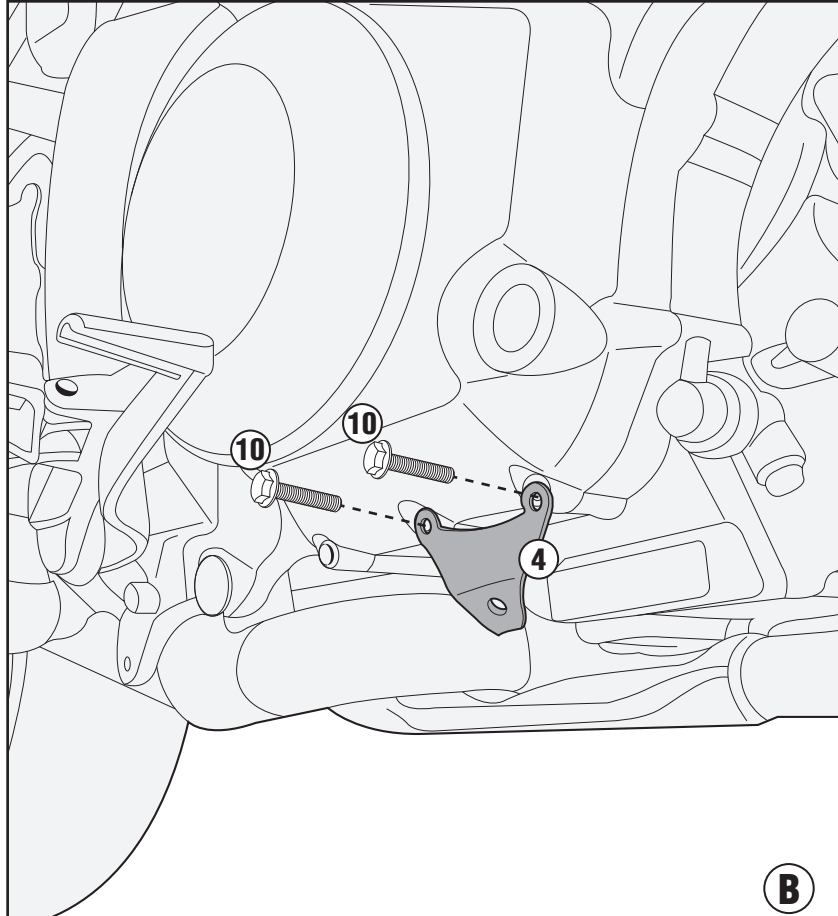
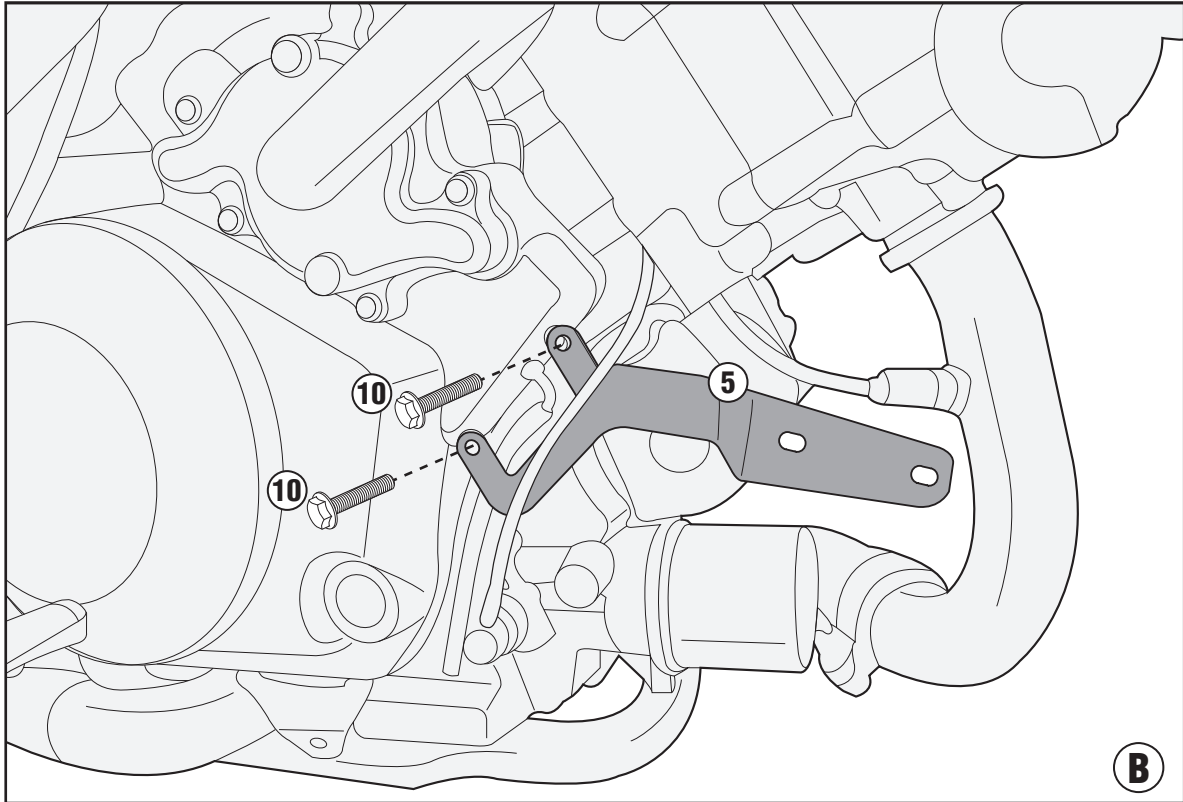


SX

RP3105 - RP3105

PARACOPPA - OIL CARTER PROTECTOR - SABOT MOTEUR - SPEZIFISCHER MOTORSCHUTZ - CUBRE CARTER

SUZUKI DL 1000 V-Strom (2014)

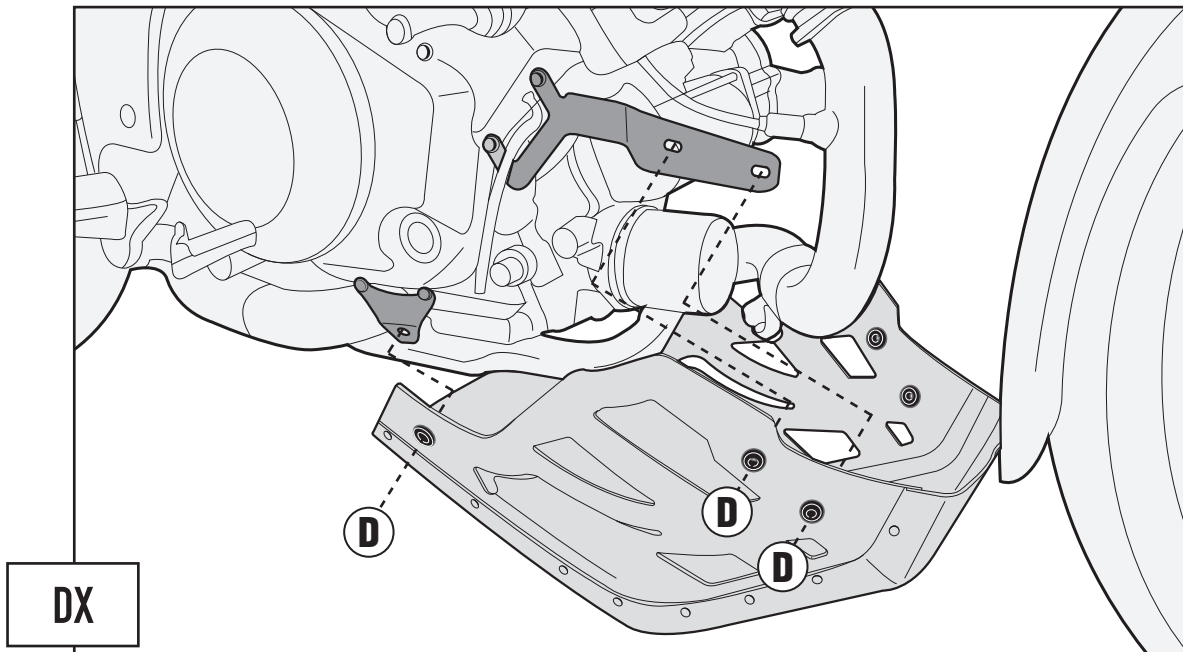
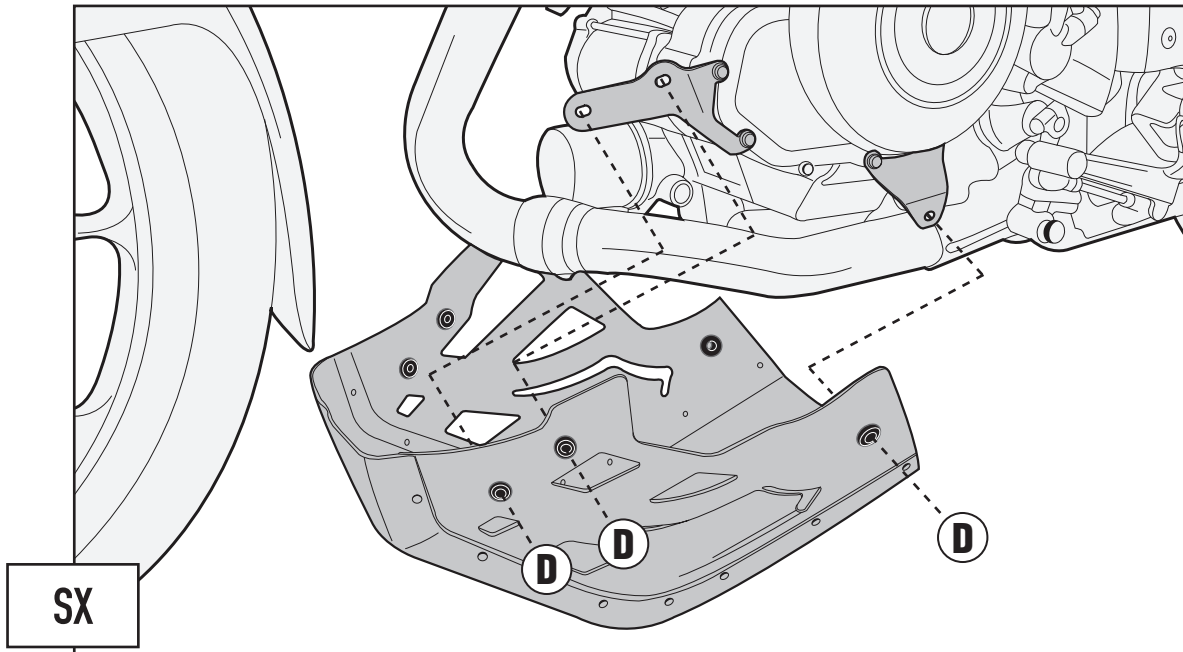
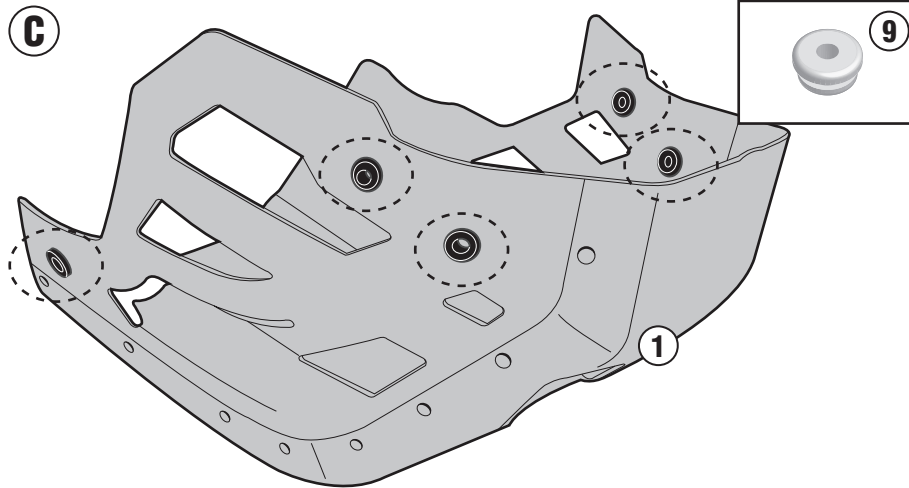


DX

RP3105 - RP3105

PARACOPPA - OIL CARTER PROTECTOR - SABOT MOTEUR - SPEZIFISCHER MOTORSCHUTZ - CUBRE CARTER

SUZUKI DL 1000 V-Strom (2014)



RP3105 - RP3105

PARACOPPA - OIL CARTER PROTECTOR - SABOT MOTEUR - SPEZIFISCHER MOTORSCHUTZ - CUBRE CARTER

SUZUKI DL 1000 V-Strom (2014)

