
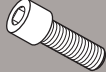
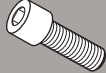

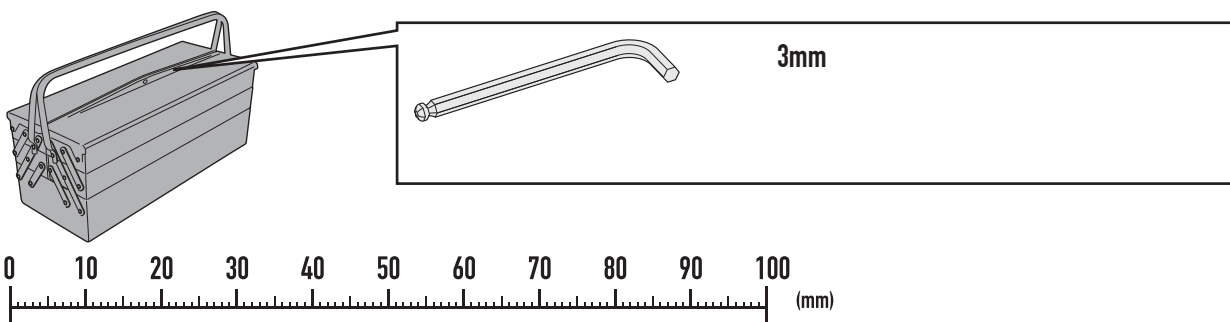


02SKIT

KIT PER SMART BAR/SMART MOUNT - KIT FOR SMART BAR/SMART MOUNT - KIT POUR SMART BAR/SMART MOUNT
 KIT FÜR SMART BAR/SMART MOUNT - KIT PARA SMART BAR/SMART MOUNT - KIT PARA SMART BAR/SMART MOUNT

N°	Descrizione	Caratteristiche	Codice	Quantità	
1	Distanziale - Spacer Entretoise - Distanzstueck Distanciador - Espaçador	Ø13x5 Foro 8mm	C13L5F8,5T	2	
2	Vite - Screw Vis - Schraube Tornillo - Parafuso	TCEI M8X45 INOX	845TCEX	2	
3	Vite - Screw Vis - Schraube Tornillo - Parafuso	TCEI M8x50 INOX	850TCEX	2	
4	Rondella - Washer Rondelle - Scheibe Arandela - Arruela	Ø8 INOX	8RONX	6	

MARCA	MODELLO	845TCEX	850TCEX
HONDA	CB500X (2013 - 2015)		X
HONDA	CB500F (2013 - 2015)		X
HONDA	HORNET 600 (2007-2010)		X
HONDA	HORNET 600 (2011-2013)		X
HONDA	CB 650 F (2014 - 2015)		X
HONDA	NC700S (2012 - 2013)/NC750S/NC750S DCT (2014 - 2015)		
HONDA	NC700X (2012-2013)/NC750X/NC750X DCT (2014 - 2015)		X
HONDA	CBF1000 (2010-2014)		X*
KAWASAKI	VERSYS 1000 (2012-2014)		X
KAWASAKI	Z800 (2013 - 2015)	X*	
KAWASAKI	W800 (2011-2015)		X
SUZUKI	DL1000 V-STROM (2014 - 2015)	X	



ISTRUZIONI DI MONTAGGIO - MOUNTING INSTRUCTIONS
 INSTRUCTIONS DE MONTAGE - BAUANLEITUNG
 INSTRUCCIONES DE MONTAJE - INSTRUÇÕES DE MONTAGEM

02SKIT

KIT PER SMART BAR/SMART MOUNT - KIT FOR SMART BAR/SMART MOUNT - KIT POUR SMART BAR/SMART MOUNT
KIT FÜR SMART BAR/SMART MOUNT - KIT PARA SMART BAR/SMART MOUNT - KIT PARA SMART BAR/SMART MOUNT

